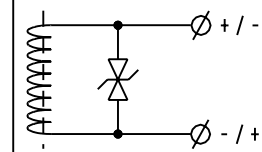


OUTLINE

VOLTAGE (volts)	PART NUMBER								RESISTANCE (ohms @ 20°C)	INDUCTANCE ±5% (milliHenry @ 20°C)	INITIAL CURRENT DRAW (ampere)	INITIAL POWER CONSUMPTION (watts)
	ER	ERZ	EY	EYZ	EJ	EJZ	EL	ELZ				
10	4303710	4304110	4303510	4303910	4305610	4305410	---	---	4.78±3%	14.91	2.09	20.92
12	4303712	4304112	4303512	4303912	4305612	4305412	4305712	---	7.09±3%	15.30	1.69	20.31
20	4303720	4304120	4303520	---	4305620	4305420	---	---	19.12±5%	51.51	1.05	20.92
24	4303724	4304124	4303524	4303924	4305624	4305424	4305724	---	28.50±5%	70.18	0.84	20.21
36	4303736	---	4303536	---	4305636	---	---	---	63.21±5%	182.73	0.57	20.50

CONNECTOR	CONNECTOR CODE	IP RATING
DEUTSCH DT04-2P	ER	69
METRI-PACK 150 2M	EY	69
AMP Jr. TIMER	EJ	69
DUAL LEADS	EL	69

DIODE TYPE	DIODE TYPE CODE	CIRCUIT DIAGRAM
BI-DIRECTIONAL ZENER DIODE	Z	

DESCRIPTION & SPECIFICATIONS

MAGNET WIRE: U.S. CLASS N
(200°C MINIMUM RATING)
CONSTRUCTION: MAGNET WIRE WOUND ON A MOLDED 30% GLASS
FILLED BOBBIN AND ENCAPSULATED WITH 30% GLASS
FILLED POLYESTER RESIN. OVERMOLDED COIL IS
FRAMED IN STEEL.
DEUTSCH DT04-2P MATING CONNECTOR: DT06-2S-P012
METRI-PACK 150 2M MATING CONNECTOR:
DELPHI/PACKARD NUMBER 12052641

BIDIRECTIONAL ZENER DIODE FOR 12 VDC:

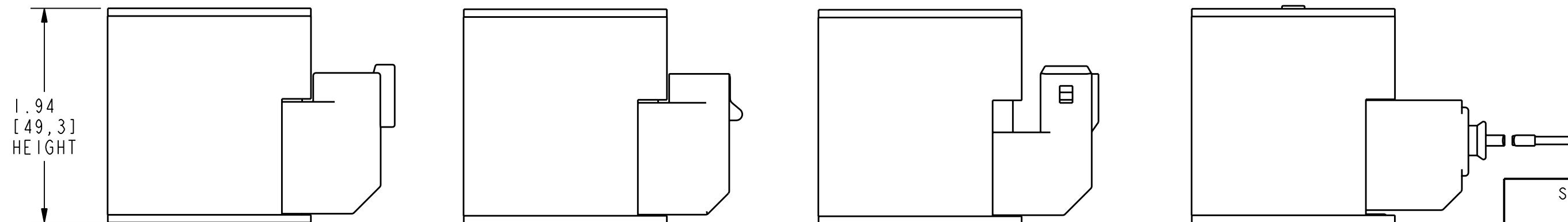
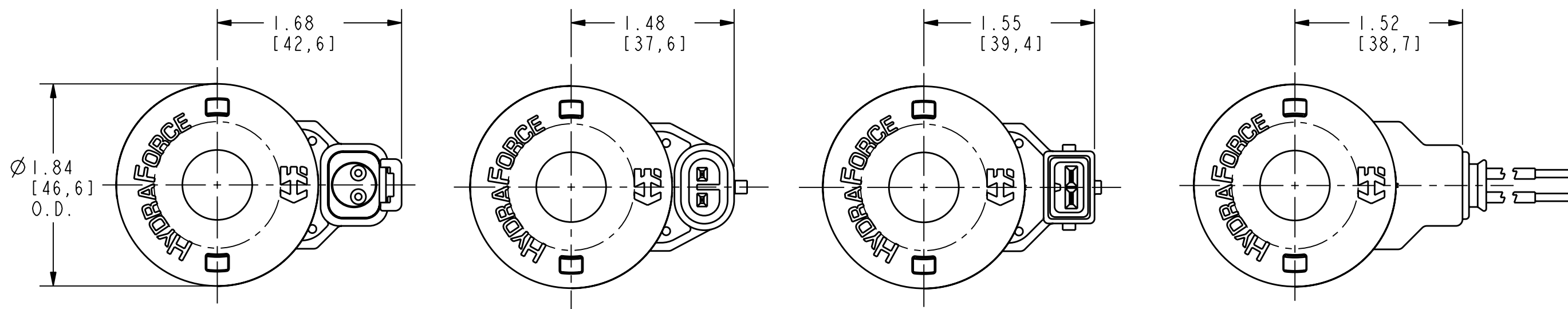
MAXIMUM CLAMPING VOLTAGE: 45.7 volts
MAXIMUM PEAK PULSE CURRENT: 13.2 amperes
REVERSE STANDOFF VOLTAGE: 28.2 volts
MAXIMUM REVERSE LEAKAGE: 5.0 microamperes
BREAKDOWN VOLTAGE: 31.4 volts (MINIMUM)
34.7 volts (MAXIMUM)

HF#(REF)=6110163

BIDIRECTIONAL ZENER DIODE FOR 24 VDC:

MAXIMUM CLAMPING VOLTAGE: 64.8 volts
MAXIMUM PEAK PULSE CURRENT: 9.3 amperes
REVERSE STANDOFF VOLTAGE: 40.2 volts
MAXIMUM REVERSE LEAKAGE: 5.0 microamperes
BREAKDOWN VOLTAGE: 44.7 volts (MINIMUM)
49.4 volts (MAXIMUM)

HF#(REF)=4000063



10 SIZE ER COIL

10 SIZE EY COIL

10 SIZE EJ COIL

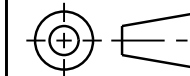
10 SIZE EL COIL

MODEL CODE EXAMPLE:

SV08-XX-0-X-12ERZ
 CAVITY AND COIL SIZE ———
 VOLTAGE ———
 CONNECTOR ———
 DIODE TYPE ———

WEIGHT
E-COIL:
0.82 lb [0.37 kg]

SCALE
1:1
DO NOT SCALE
DRAWING

THIRD ANGLE
PROJECTION


 **HYDRAFORCE®**

DESCRIPTION

E COIL
10 SIZE

THIS DRAWING IS THE PROPERTY OF
HYDRAFORCE, INC., 500 BARCLAY BOULEVARD,
LINCOLNSHIRE, IL 60069, AND IS LOANED
SUBJECT TO RETURN UPON DEMAND. IT IS
NOT TO BE REPRODUCED OR USED DIRECTLY
OR INDIRECTLY IN ANY WAY DETRIMENTAL
TO THE INTEREST OF HYDRAFORCE.
HYDRAFORCE HYDRAULICS, LTD. IS A WHOLLY
OWNED SUBSIDIARY OF HYDRAFORCE, INC.

DRAWING NUMBER

SHEET 1 OF 1

REV 3
ECN 051260
BY MAM/KCF
DATE 21JUN2005

E_COIL_OL_P_10